

# Altech

## Manual



# NOBLÈS GRANDE NOBLÈS

Version 010218

# MANUAL NOBLÈS / GRANDE NOBLÈS

## CONTENTS

Installing and positioning  
Using for the first time  
Operating instructions  
Fuels  
Tips  
Maintenance  
Faults  
Warranty conditions

## INSTALLING AND POSITIONING

<b>Properties</b>	<b>NOBLÈS</b>	<b>GRANDE NOBLÈS.</b>
Type:	soapstone stove	
Use:	discontinue combustion of wood.	
Capacity:	4 kW	8 kW
Mass:	120kg	195kg
Flue gas flow:	7,5g/s	12g/s
Flue gas temperature:	230°C	230°C
Efficiency:	85%	80%

## Local regulations

Your Altech stove must be positioned in accordance with the locally applicable (legal) regulations and building regulations. Your Altech dealer can advise you on this.

## Flue

The flue must have a minimum inner diameter of 125mm for the Nobles and 150mm for the Grande Nobles and has to meet the local and building regulations. The draught of the flue must have a nominal value of between 10 Pa and 15 Pa. Your dealer can check this for you. In case of a chimney fire; close the air valve of the stove, extinguish the fire in the stove with sand or soda and warn the fire brigade, try never try to extinguish the fire with water.

## **Connecting piece**

The connection between the stove and chimney must be well sealed without hindering the smoke or making it difficult to sweep the chimney.

## **Air supply**

There must be a sufficient supply of air in the room in which the stove is located so that the burning process is not affected. In a well-insulated house or a house with mechanical ventilation, an opening must be made to the outside in order to guarantee the supply of air.

## **Base**

Position the stove on a stable surface which is able to bear the weight of the stove. The floor material must be non-flammable. If this is not the case, it is recommended a steel or glass floor plate be used. This floor plate must be large enough to meet the local regulations. See figure A.

## **Distance to walls, furniture and other materials**

Observe the minimum distance to walls as shown in figure A.

- The distance between the rear of the heater and the wall must be at least 35 cm. A smaller distance is not possible because of the heat convection and the air supply.
- There is a safety distance of 2 meters for inflammable materials that are in range of the heat radiation from the window.
- The safety distance for inflammable materials and furniture outside the range of the heat radiation from the window is 80 cm.

## **Checking the separate parts**

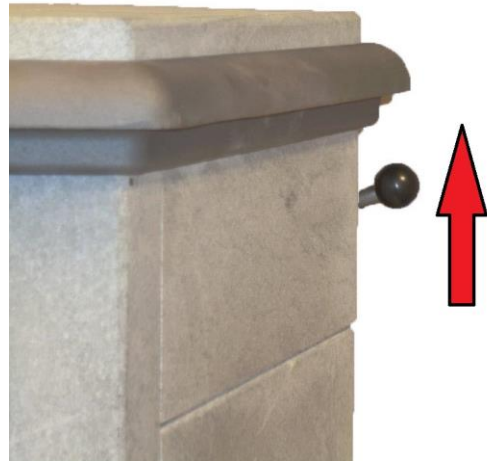
Before using for the first time, check whether all the separate parts in the stove are in the correct position and the stove isn't damaged.

## LIGHTING

### Using for the first time

To increase the life span of the stove, it is absolutely necessary to burn the stove at a limited rate the first 10 to 12 times that it is used. This allows the cement to harden and to form a solid connection between the cast iron and the soapstone tiles. It also allows any moisture present in the soapstone to evaporate, which drastically reduces the chance of cracks. Not observing the lighting procedure explained below may result in the warranty becoming invalid.

**1.** Insure maximum airflow by opening the air valve.



**2.** Position firelighters in the middle of the hearth. Build a pyramid of kindling around the firelighters. Light the firelighters.



Choosing the right kindling (size and type) allows heat to be generated more quickly. Preferably use finely chopped lightwood.

The faster the stove reaches maximum temperature, the faster circulation is established, and the less soot and creosotes created. This keeps the stove, smoke guide and environment clean.

**3.** Leave the door slightly ajar.

Leaving the door slightly ajar after lighting prevents creosote from depositing on the glass. Creosote causes stains that are difficult to remove.



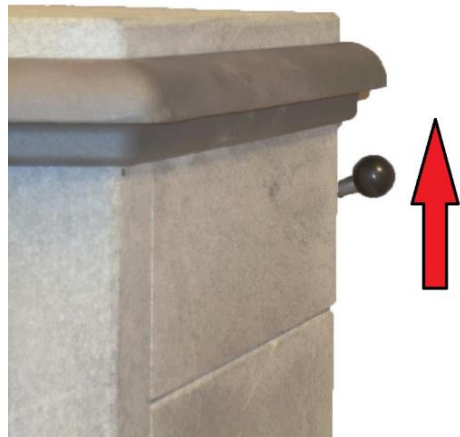
4. Close the door once the fire is burning well.

Let the stove burn out and cool down.

Repeat this **ten** times. Between two burning procedures, remove any excess ash from the hearth..

**When the first fire procedure is complete you can use the NOBLÈS completely. For stoves from the NOBLÈS series, Altech recommends the so-called Top-Down heating instructions. With this method of lighting up, the stove and the chimney quickly reach the right temperature. This creates a better and cleaner combustion. Also the stove burns much longer on the first fill of wood.**

1. Open the air supply completely.



2. Remove any redundant ash. Ash has an insulating function, resulting in a faster optimum temperature in the combustion chamber. Preferably do not completely remove the ash.



3. Place 1 larger log on the bottom. Do this with the bark pointing down. Never use too large blocks of wood. Thick blocks of wood have a smaller surface area with respect to their weight so that they can burn not properly. Logs with "fist thickness" have the maximum size.





4. Place two smaller blocks of wood crosswise. These blocks have to be placed as little as possible against each other so that the combustion air can pass well around the wood.

Do not place the blocks completely against the rear so that sufficient air can still enter the combustion chamber through the rear air supply.



5. Stack approx. 12 kindling crosswise on top of the blocks. Ensure sufficient space between the wood.

Kindling from lighter woods such as spruce and pine burns faster and more vigorously, causing the combustion chamber to heat up earlier.



6. Place 1 or 2 firelighters between the top kindling and light them up.



7. Close the door. The fire is now slowly expanding and will start to burn brighter from top to bottom.



5-10 minutes

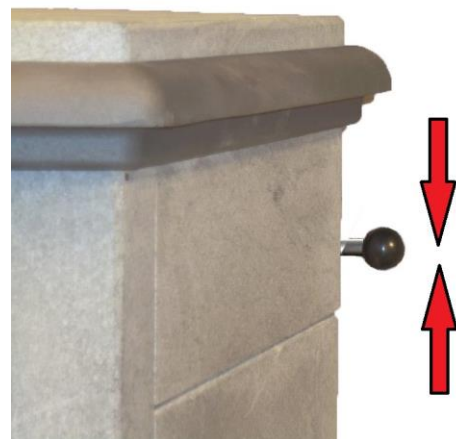


20-40 minutes



approx. 1 hour

8. The stove is provided with a start position to bring the flue to the correct temperature as quickly as possible. If the flue has reached the temperature after approx. 15 to 30 minutes the control lever can be controlled downwards until it is horizontal. This position provides optimum combustion efficiency.





## REFILLING

9. Wait with refilling until only a few flames are present.

Use the supplied glove, the door and the handle are hot. First open the door ajar, this creates extra chimney draft, which reduces the risk of smoke coming out. Then open the door again.

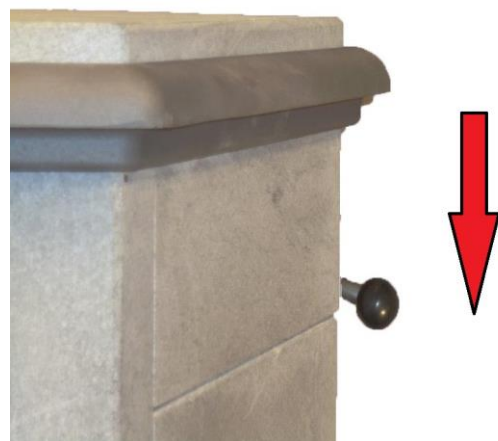


10. Fill the stove with 2 (thick as a brick) blocks of wood. Spread it as well as possible over the entire combustion chamber. Do not place the blocks too close to the door. Place the blocks with the bark pointing downwards.

Caution: the wood can immediately catch fire due to the high temperature in the combustion chamber. Close the door. Only after the blocks have caught fire you can, if desired, further regulate the air supply.



11. If the room temperature rises too high after a while, you can close the air valve further to let the stove burn more slowly. You can also achieve a calmer combustion by using larger pieces of wood or by bundling smaller pieces of wood.



If the inside of the stove does not burn clean after a while but remains black, there is a bad combustion. You must ensure a higher temperature by burning more and / or smaller pieces of wood, and / or by opening the air supply further



## **Functioning at higher outdoor temperatures**

At higher outdoor temperature the draft of the chimney may be affected, which in turn will cause smoke to escape from the stove. This can be prevented by burning the stove with a larger flame. A larger flame with the same heat production can be achieved by filling the stove more often with a smaller quantity of wood and by burning the wood whilst the air valve is opened further. The fire should then also be stoked more often, particularly if it consists of a large quantity of glowing ash.

## **FUEL**

The Altech wood stoves are only suitable for burning wood. It is not permitted to burn chipboard or wood which has been varnished, painted, impregnated or compressed wood or hardwood (e.g. Azobe). Burning materials other than clean, dry wood reduces the life span of the stove and harms the environment, therefore it is not permitted and at the same time the warranty will no longer be valid.

We recommend the use of birch or beech which has been cut into pieces and left outside under a lean-to for a minimum of 2 year. The moisture content of the wood must be between 12% and 18%.

## **TIPS**

The stove will reach a higher temperature faster by filling it with more smaller pieces of wood after it has been lighted. You can achieve a longer burning time by using larger pieces of wood (max. 1.2 kg by 30 cm) and adjusting the air valve.

Your Altech stove consists largely of soapstone, this material keeps the heat that is released during burning for a long time. As a result, the heater will give off heat for up to 12 hours after the fire has been extinguished.

Do not burn the stove for more than 2 hours with a strong combustion. After this you have to adjust the air supply back to ensure the efficiency of the stove. When refilling, you can use larger pieces of wood. Smaller pieces of wood can be bundled into a compact bundle to achieve less fierce combustion.

After the fire is completely extinguished and there is no glowing layer left in the stove, you can close the air valve in the stove. The stove will therefore give off a longer period of heat. However before you start firing you must open the air valve again.

If the inside of the stove does not burn clean after a while but remains black, there is a bad combustion. You should burn more and smaller wood and / or open the air supply further.

## **MAINTENANCE**

### **Ash**

The Hearth must be emptied on a regular base. Be careful when doing so, because the ash may still contain glowing embers 24 hours after the fire has gone out. Therefore, preferably empty the hearth in a steel container which does not contain any inflammable parts.

### **Cleaning**

The stove may only be cleaned when it is cold. Clean the outside of the stove using a soft cloth or a soft brush. Do not use water or aggressive cleaning agents. Any grease spots on the stone can best be removed using cleaning spirit. Do not get cleaning spirit on the enameled surface.

### **Tiles**

Soapstone is a natural product. Hairline cracks may appear in the stone. This will not affect the operation of the stove.

### **Window**

If a deposit is present on the window despite the clean-window facility, this can be removed with a slightly moisturized cloth with some ashes on it. If this doesn't work, it can be removed by using special-purpose cleaner available from your stove specialist.

### **Doors and seals**

Regularly check whether the door seals are still complete and flexible. If not, the seals must be replaced. Only use original components when replacing the seals.

### **Flue**

Every year, the chimney flue should be swept, and the stove cleaned and inspected by a recognized chimney sweep.

### **Warranty**

The warranty is no longer valid if insufficient maintenance has been carried out on the stove.

## **FAULTS AND PROBLEMS**

### **The window becomes black**

- The wood is too damp. Only burn wood with a moisture content of between 12 and 18 %.
- The front door seal is faulty
- Too much ash in the burning chamber and / or ash tray.
- Wood is placed against the window.

### **Irregular or too fierce burning**

- The flue draught is too high. Fit a suitable flue valve.
- The seals of the doors are faulty or worn.
- The door and/or the ash box does not close completely and must be adjusted.
- The flue draught is too or irregular (e.g. due to weather conditions, such as strong gusts of wind and mist, or a dirty flue).

### **The stove does not get warm or burns poorly**

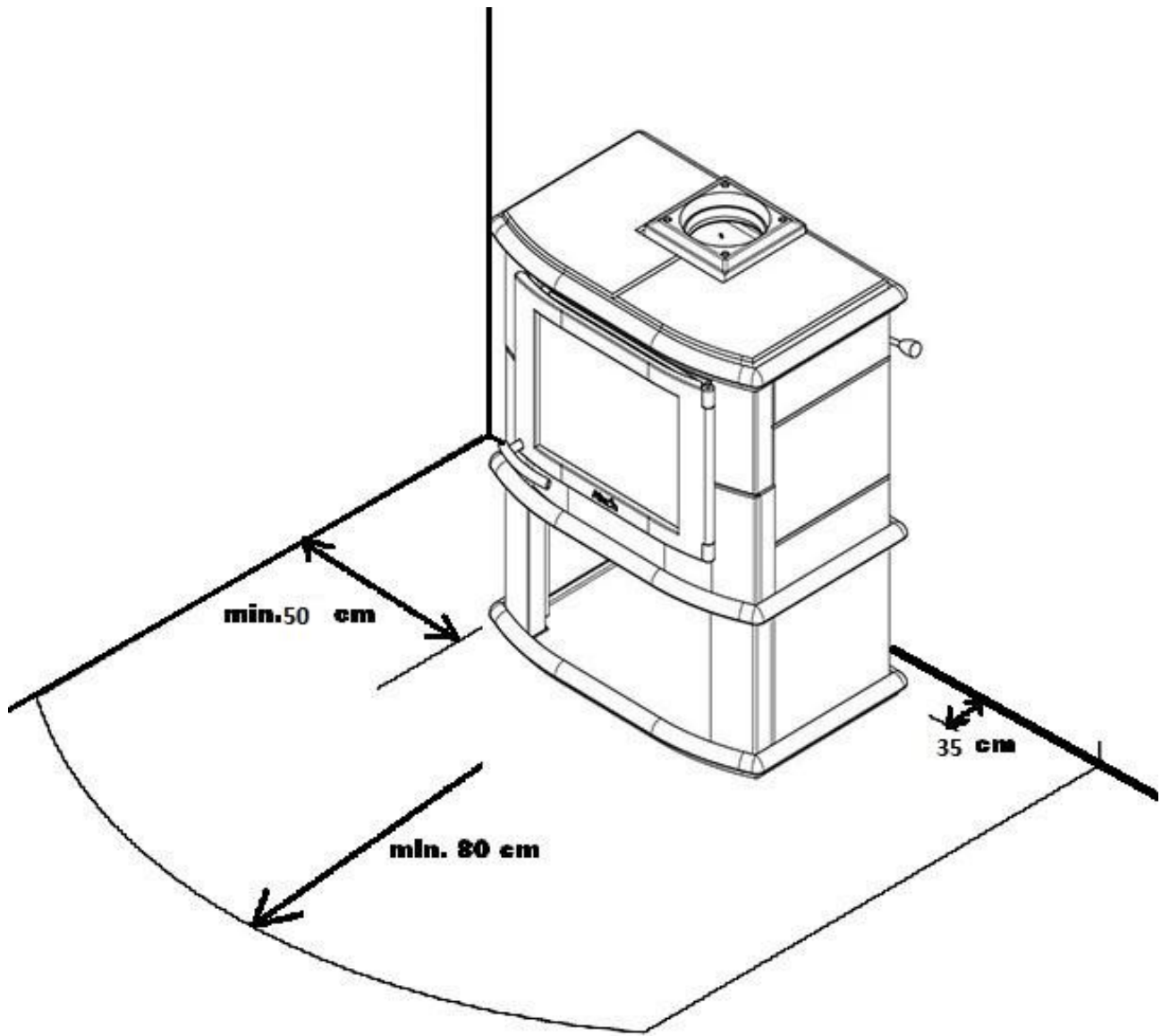
- The air valve is closed.
- Too much ash in ash tray.
- Too much ash in the burning chamber.
- The flue draught is too low (e.g. due to weather conditions, such as mist, or the flue is dirty).
- The pieces of wood burnt are too large or too damp.

### **Smoke in the room**

- The flue draught is too low (e.g. due to weather conditions, such as mist, or the flue is dirty).
- Door is opened before the flames have been extinguished.
- The flue valve isn't opened fully.



**A**





## GARANTIEBEPALINGEN

### **NOBLÈS / GRANDE NOBLÈS**

#### **WARRANTY**

The Altech factory warranty applies only to new stoves for a period of five years from the date of purchase. The first and second year, both the material and labor compensation. The third, fourth and fifth years, only the material costs. Warranty claims can only be registered through an authorized Altech Altech dealer or distributor.

Is the warranty card within 14 days of purchase sent to Altech you can only claim the statutory warranty provisions such as those in the country of sale apply.

Warranties are not transferable.

The guarantee becomes invalid if work on the stove are provided by other than by Altech authorized dealers or distributors and / or no original parts are used.

#### **Not within the warranty:**

All wearing parts such as gaskets and rope, glass windows, fireplace grate and inside plating. Transportation, erection and dismantling costs. Damage resulting from improper use, inadequate maintenance or modifications to the stove. Damage caused by improper installation. Fees for any consequential damages.

**It is assumed that the user has read the instructions and the warranty conditions before using the stove. The warranty is no longer valid if insufficient maintenance has been carried out on the stove.**

# NOBLES / GRANDE NOBLES

## GARANTIEBEWIJS / WARRANTY CERTIFICATE / GARANTIEBEWEIS / CERTIFICAT DE GARANTIE / CERTIFICATO DI GARANZIA

- NL: Voor garantie is het noodzakelijk om uw kachel binnen 14 dagen te registreren. U kunt dit doen op onze website. Zie onderstaande link.
- <https://www.altechkachels.com/registreer-uw-altech-kachel/>
- EN: For warranty it is necessary to register your stove within 14 days. You can do this on our website. See the link below.
- <https://www.altechkachels.com/en/registreer-uw-altech-kachel/>
- DE: Für die Garantie ist es notwendig, Ihre Ofen innerhalb von 14 Tagen zu registrieren. Sie können dies auf unserer Website tun. Siehe den Link unten.
- <https://www.altechkachels.com/de/registreer-uw-altech-kachel/>
- FR: Pour la garantie, il est nécessaire d'enregistrer votre chauffage dans les 14 jours. Vous pouvez le faire sur notre site Web. Voir le lien ci-dessous.
- <https://www.altechkachels.com/fr/registreer-uw-altech-kachel/>
- IT: Per la garanzia è necessario registrare la stufa entro 14 giorni. Puoi farlo sul nostro sito - web. Vedi il link sotto.
- <https://www.altechkachels.com/it/registreer-uw-altech-kachel/>