

Altech

Manual



Torus -Pellet-

Version 260619

MANUAL TORUS PELLET

CONTENTS

Installing and positioning
Firing the stove
Fuels
Maintenance
Faults
Warranty conditions

INSTALLING AND POSITIONING

Model	Torus pellet
Type:	soapstone pellet stove
Fuel:	Wood pellets
Nominal Capacity:	5 kW
Weight:	250kg
Flue gas flow:	6,2g/s
Efficiency:	92,8%

Local regulations

Your Altech stove must be positioned according to the locally applicable regulations and building regulations. Your Altech dealer can advise you on this.

Flue

The pellet stove could be installed in every situation on a flue pipe on 120mm until 150mm, of course the chimneys need to meet the requirements of locally building regulations. Other flue sizes are possible in discussing with your supplier.

Chimney fire

In case of a Chimney fire; close the valve in the flue, stop the fire in the stove with sand or soda and call the fire brigade, never try to extinguish the fire yourself with water.

Connection

The Connection between the stove and the flue must be properly sealed, without hindering the flue gases or sweeping the chimney.

Air supply

The room where the stove is placed, fresh air must be supplied for the combustion process in the stove. By a good insulated houses or houses with a mechanical ventilation system, an opening must be made to the outside air so that the air supply is guaranteed.

Floor

Place the stove on a strong and stable floor. The material of the floor must be non-combustible. If this is not the case, we advise to use a floor plate under stove, made of steel or glass. This plate must be big enough and meet the local requirements. See figure A.

Distance to walls, furniture and other materials

- Minimum distance to walls as shown in figure A.
- 15 cm must be maintained from the rear of the stove to the wall. A smaller distance is not possible due to the convection heat and air supply.
- For flammable materials that are standing in direct range of heat rays through the glass, we advise a safety distance of two meter.
- For flammable materials and furniture placed outside the radiation range of the window, a safety distance of 60 centimeters from the stove applies.

Control individual parts

Before the first use, check if all individual parts in the stove are on the right place and the stove is not damaged.

FIRST USE

Each Altech soapstone pellet stove is handmade with big care. Keep in mind that the first week, you can burn the pellet stove with a maximum of 1 time a day. Residual moisture in the soapstone can lead to more soot development in the combustion chamber at the first firing. This will decrease after a number of firings.

MANUAL FIRING

In the pellet stove you can only burn wood pellet, no other fuels. For more information see chapter "fuels". We advise for lighting the fire to use a Firestarter.

- U clean the pellet burner by using the delivered brush.
- U can open the door and putting the pellets in the burner. (you can do this easily with the specialy made pellet kit.
- Put a small an Firestarter on top of the pellets, and light it up.
- U can close the door and enjoy the beautiful flames until 3 hours.

Refilling

It is **not** possible to refill the stove if the stove is still burning pellets. U have to wait minimal 20 minutes after the fire is out, with refill the burner with pellets again. Before you refill te burner, you always need to clean the burner with the supplied brush.

Burning at with higher temperatures

At higher outside temperatures, the chimney draft may be disrupted, resulting in smoke leaving the stove. This can be prevented by burning the stove with a larger flame development. A larger flame development with the same capacity is obtained with a flue valve that is open further.

FUELS

You can only use high quality wood pellets for the Altech soapstone pellet stoves, that means;

- A high combustion value (above 5 kWh/kg)
- A low ash value (between 0,2% – 0,5%)
- A low moisture value (between 7% – 8%)

MAINTENANCE

Ash

You need to empty the ash box once in a few days. Watch out; even after 24 hours the ash can contain glowing particles. Therefore, empty the ash box in a steel waste container in which there are no flammable objects.

Cleaning

Cleaning the stove can only happen when the stove is not warm anymore. Clean the outside of the stove with a soft cloth or soft brush. Do not use water or any aggressive cleaning agents. It is best to remove any dirty spots on the stones with some gasoline. Be careful not to get gasoline on the painted surfaces.

Stones

Soapstone is a natural product. It is possible that hair cracks appear in the stone. This does not affect the operation of the stove.

Glass

If, despite the glass rinsing, deposits have formed on the glass, it is best to remove this with a special window cleaner.

Doors and sealing

Regularly control if the sealing of the door (and also the ash box) are still intact and flexible. If this is not the case, they have to be replaced. Use only original parts for this.

Chimney

Even this is not necessary for a clean combustion, still the chimney has to be swiped and cleaned every year. Only let this work be done by an official chimney sweeper.

Warranty

Insufficient maintenance will void the warranty

FAILURES AND PROBLEMS

Window gets dirty

- The wood pellets are too moisture, only burn pellets with a moisture value between 7% and 8%.
- The sealing on the front door is not intact anymore
- The valve in the chimney is too much closed.

Irregular or too fiercely combustion

- The chimney draft is too much, close the valve in the flue a little bit more.
- Sealing around the door are not intact anymore.
- the chimney draft is not enough or irregular (because of the bad weather or a dirty chimney).

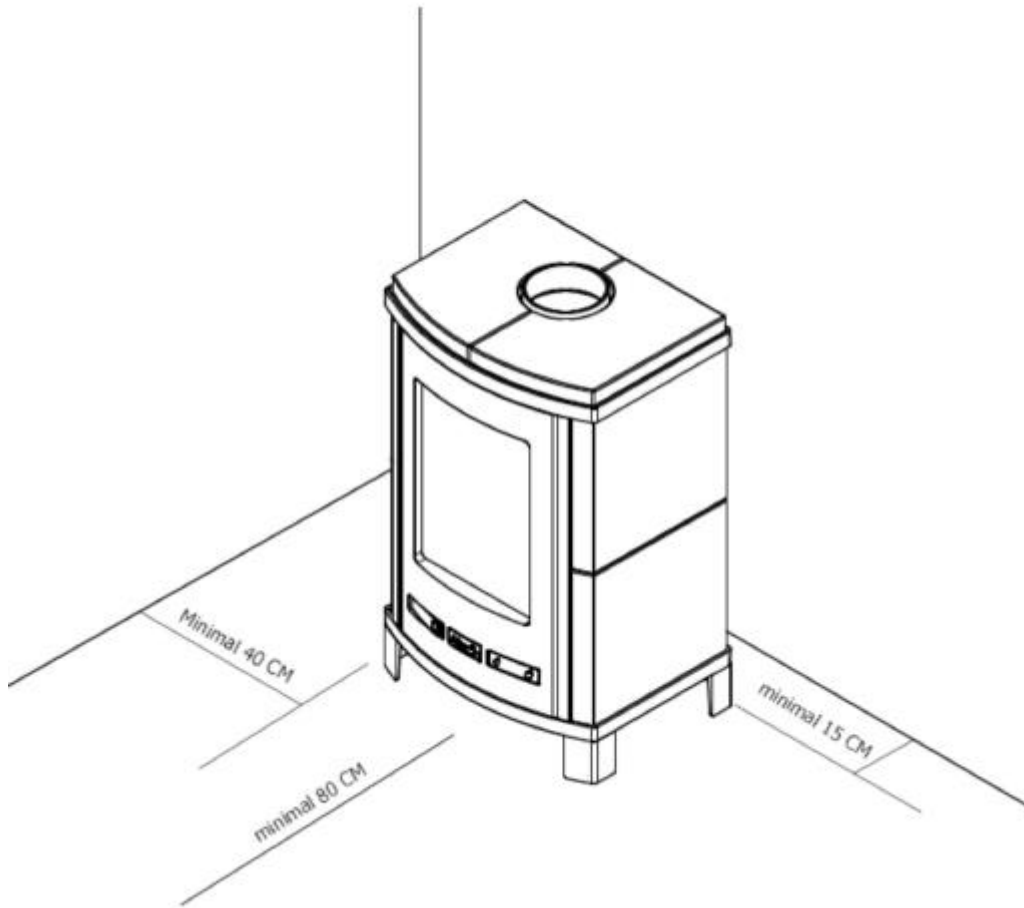
The temperature of the stove is not good or burns bad.

- Valve in the flue is too much closed.
- the chimney draft is not enough or irregular (because of the bad weather or a dirty chimney).
- Too moisture wood pellets.

Smoke in the room

- the chimney draft is not enough or irregular (because of the bad weather or a dirty chimney).
- The valve in the flue is not in the right position

A





GUARANTEE PROVISIONS

WARRANTY

The Altech factory warranty applies only to new stoves for a period of five years from the date of purchase. The first and second year, both the material and labor compensation. The third, fourth and fifth years, only the material costs. Warranty claims can only be registered through an authorized Altech dealer or distributor. The warranty card within 14 days of purchase sent to Altech you can only claim the statutory warranty provisions such as those in the country of sale apply.

Warranties are not transferable.

The guarantee becomes invalid if work on the stove is provided by other than by Altech authorized dealers or distributors and / or non-original parts are used.

Not within the warranty:

All wearing parts such as gaskets and rope, glass windows, fireplace grate and inside plating. Transportation, montage and dismantling costs. Damage resulting from improper use, inadequate maintenance or modifications to the stove. Damage caused by improper installation. Fees for any consequential damages.

It is assumed that the user has read the instructions and the warranty conditions before using the stove. The warranty is no longer valid if insufficient maintenance has been carried out on the stove.

TORUS PELLET

GARANTIEBEWIJS / WARRANTY CERTIFICATE / GARANTIEBEWEIS / CERTIFICAT DE GARANTIE / CERTIFICATO DI GARANZIA

NL: Voor garantie is het noodzakelijk om uw kachel binnen 14 dagen te registreren. U kunt dit doen op onze website. Zie onderstaande link.

- <https://www.altechkachels.com/registreer-uw-altech-kachel/>

EN: For warranty it is necessary to register your stove within 14 days. You can do this on our website. See the link below.

- <https://www.altechkachels.com/en/registreer-uw-altech-kachel/>

DE: Für die Garantie ist es notwendig, Ihre Ofen innerhalb von 14 Tagen zu registrieren. Sie können dies auf unserer Website tun. Siehe den Link unten.

- <https://www.altechkachels.com/de/registreer-uw-altech-kachel/>

FR: Pour la garantie, il est nécessaire d'enregistrer votre chauffage dans les 14 jours. Vous pouvez le faire sur notre site Web. Voir le lien ci-dessous.

- <https://www.altechkachels.com/fr/registreer-uw-altech-kachel/>

IT: Per la garanzia è necessario registrare la stufa entro 14 giorni. Puoi farlo sul nostro sito web. Vedi il link sotto.

- <https://www.altechkachels.com/it/registreer-uw-altech-kachel/>