

Altech

Manual



VISION VISION GOURMET

Version 160318

MANUAL VISION

CONTENTS

Installing and positioning
Using for the first time
Operating instructions
Fuels
Tips
Maintenance
Faults
Warranty conditions

INSTALLING AND POSITIONING

Properties

Vision en Vision Gourmet

Type:	soapstone stove
Use:	discontinue combustion of wood.
Capacity:	9kW
Mass:	220kg
Flue gas flow:	9g/s
Flue gas temperature:	282°C
Efficiency:	76%

Local regulations

Your Altech stove must be positioned in accordance with the locally applicable (legal) regulations and building regulations. Your Altech dealer can advise you on this.

Flue

The flue must have a minimum inner diameter of 150mm and has to meet the local and building regulations. The draught of the flue must have a nominal value of between 10 Pa and 15 Pa. Your dealer can check this for you. In case of a chimney fire; close the air valve of the stove, extinguish the fire in the stove with sand or soda and warn the fire brigade, try never try to extinguish the fire with water.

Connecting piece

The connection between the stove and chimney must be well sealed without hindering the smoke or making it difficult to sweep the chimney.

Air supply

There must be a sufficient supply of air in the room in which the stove is located so that the burning process is not affected. In a well-insulated house or a house with mechanical ventilation, an opening must be made to the outside in order to guarantee the supply of air.

Base

Position the stove on a stable surface which is able to bear the weight of the stove. The floor material must be non-flammable. If this is not the case, it is recommended a steel or glass floor plate be used. This floor plate must be large enough to meet the local regulations (*see figure A*).

Distance to walls, furniture and other materials

The stove must not be positioned within a distance of 50 centimetres of flammable materials. The rear of the stove must be at least 20 centimetres from non-flammable material for the purpose of heat convection and the supply of air (*see figure A*). The recommended minimum distance to furniture is 2 metres.

Assembling the thermostat

The primary air thermostat will be delivered separately.

This component must be fitted to the stove before use.

- The spiral bimetal strip must be screwed into the rear of the stove. The plastic protective cover must be removed before the bimetallic strip is screwed into the rear of the stove (*see figure B.*)
- A Screw the handle into the threaded hole until resistance is felt (also fit the spring).
- B Vision → Turn the handle approximately 45° anticlockwise.
Gourmet → Turn the handle approximately 45° downwards.
- C Hang a chain link on the hook so that the primary valve is just closed.

Altering the rear or top connection

The stove connection of the Altech Vision can be changed from the standard top connection to a rear connection (not applicable for a flat top stone). The flame distributor can be tipped over or taken out to provide more room to unscrew the bolts of the connection mouth and the sealing plate. The plates can then be unscrewed and swapped over. The soapstone tile is no longer needed. The plates can then be refitted using the bolts supplied. Make sure the seals are in the correct position. If in doubt, contact your Altech dealer.

Checking the separate parts

Before using for the first time, check whether all the separate parts in the stove are in the correct position. Give extra attention to the flame distributor and the spoiler, since these may move during transport (see figure C).

USING FOR THE FIRST TIME

Life span

To increase the life span of the stove, it is absolutely necessary to burn the stove at a limited rate the first 10 to 12 times that it is used. This allows the cement to harden and to form a solid connection between the cast iron and the soapstone tiles. It also allows any moisture present in the soapstone to evaporate, which drastically reduces the chance of cracks.

Initial lighting procedure

Not observing the lighting procedure explained below may result in the warranty becoming invalid. The stove is only suitable for burning wood. See "Fuel" for further information.

- Check whether the grate is closed. The grate closes automatically if the grate's handle is placed on the edge of the side door's frame (see figure D).
- Place two fire lighters in the middle of the grate.
- Build a pyramid around the fire lighters using 8 to 10 pieces of kindling which are approximately 2 cm thick and 25 cm long.
- Open the secondary valve on the right-hand side (see figure E).
- Open the by-pass valve (see figure F).
- The primary valve must be opened approximately 2 cm.
- Open the window's aeration handle (see figure G).
- The ash pan's door must always be closed when lighting the stove.
- Light the fire lighters and close the doors.

- Do not fill the stove with wood. Allow the stove to go out and cool down to room temperature

This procedure must be repeated 10 to 12 times. Condensation may form in the stove during the initial lightning. This will disappear in time.

LIGHTNING INSTRUCTIONS

The stove can be used as normal once the initial lightning procedure has been completed.

The stove only suitable for burning wood. See "Fuel" for further information.

- Shake the grate to get the excess ash in the ash pan.
- Check whether the grate is closed. The grate closes automatically if the grate's handle is placed on the edge of the side door's frame (see *figure D*).
- Empty the ash pan.
- Place 1 larger log on the bottom. Do this with the bark pointing down. Never use too large blocks of wood. Thick blocks of wood have a smaller surface area with respect to their weight so that that can burn not properly. Logs thick as a brick have the maximum size.
- Place two smaller blocks of wood crosswise. These blocks have to be placed as little as possible against each other so that the combustion air can pass well around the wood. Do not place the blocks completely against the rear so that sufficient air can still enter the combustion chamber through the rear air supply.
- Stack approx. 12 kindling crosswise on top of the blocks. Ensure sufficient space between the wood. Kindling from lighter woods such as spruce and pine burns faster and more vigorously, causing the combustion chamber to heat up earlier.
- Open the secondary valve on the right-hand side (see *figure E*).
- Open the by-pass valve (see *figure F*).
- The primary valve must be opened approximately 2 cm.
- Open the window's aeration handle (see *figure G*).
- Check whether the ash pan's door is fully closed.
- Place 1 or 2 firelighters between the top kindling and light them up and close the doors.

Adding wood

Wood may be added to the stove once the kindling has been burnt and has formed a glowing mass.

- Open the by-pass valve.
- Refill the stove (via front or side door) with 2-4 blocks of wood each of a maximum of 1 kg.
- Close the door.
- Close the by-pass valve.
- If, after some time, the room temperature is too high, you can partly close the primary valve until the correct temperature has been reached.
- Leave the handle of the primary valve in this position so that the stove can control the air supply itself.
- You can control the stove further by partly closing the window's aeration handle. There is, however, a chance that a deposit will form on the window if the handle is closed too far (*see figure G*).
- Before adding more wood to the stove, wait until there are no longer any flames and only a glowing mass remains.

Functioning at higher outdoor temperatures

At higher outdoor temperature the draft of the chimney may be affected, which in turn will cause smoke to escape from the stove. This can be prevented by burning the stove with a larger flame. A larger flame with the same heat production can be achieved by filling the stove more often with a smaller quantity of wood and by burning the wood whilst the air valve is opened further. The fire should then also be stoked more often, particularly if it consists of a large quantity of glowing ash.

FUEL

The Altech wood stoves are only suitable for burning wood. It is not permitted to burn chipboard or wood which has been varnished, painted, impregnated or compressed wood or hardwood (e.g. Azobe). Burning materials other than clean, dry wood reduces the life span of the stove and harms the environment, therefore it is not permitted and at the same time the warranty will no longer be valid.

We recommend the use of birch or beech which has been cut into pieces and left outside under a lean-to for a minimum of 2 year. The moisture content of the wood must be between 12% and 18%.

TIPS

The stove will reach a higher temperature faster by filling it with more smaller pieces of wood after it has been lighted. You can achieve a longer burning time by using larger pieces of wood (max. 1.2 kg by 30 cm) and adjusting the air valve.

Your Altech stove consists largely of soapstone, this material keeps the heat that is released during burning for a long time. As a result, the heater will give off heat for up to 12 hours after the fire has been extinguished.

Do not burn the stove for more than 2 hours with a strong combustion. After this you have to adjust the air supply back to ensure the efficiency of the stove. When refilling, you can use larger pieces of wood. Smaller pieces of wood can be bundled into a compact bundle to achieve less fierce combustion.

After the fire is completely extinguished and there is no glowing layer left in the stove, you can close the air valve in the stove. The stove will therefore give off a longer period of heat. However before you start firing you must open the air valve again.

If the inside of the stove does not burn clean after a while but remains black, there is a bad combustion. You should burn more and smaller wood and / or open the air supply further.

MAINTENANCE

Ash

The Hearth must be emptied on a regular base. Be careful when doing so, because the ash may still contain glowing embers 24 hours after the fire has gone out. Therefore, preferably empty the hearth in a steel container which does not contain any inflammable parts.

Cleaning

The stove may only be cleaned when it is cold. Clean the outside of the stove using a soft cloth or a soft brush. Do not use water or aggressive cleaning agents. Any grease spots on the stone can best be removed using cleaning spirit. Do not get cleaning spirit on the enameled surface.

Tiles

Soapstone is a natural product. Hairline cracks may appear in the stone. This will not affect the operation of the stove.

Window

If a deposit is present on the window despite the clean-window facility, this can be removed with a slightly moisturized cloth with some ashes on it. If this doesn't work, it can be removed by using special-purpose cleaner available from your stove specialist.

Doors and seals

Regularly check whether the door seals are still complete and flexible. If not, the seals must be replaced. Only use original components when replacing the seals.

Flue

Every year, the chimney flue should be swept, and the stove cleaned and inspected by a recognized chimney sweep.

Warranty

The warranty is no longer valid if insufficient maintenance has been carried out on the stove.

FAULTS AND PROBLEMS

The window becomes black

- The wood is too damp. Only burn wood with a moisture content of between 12 and 18 %.
- The front door seal is faulty
- The ash pan is full
- The window's aeration handle is closed too far (*see figure G*)
- The air spoiler has been incorrectly assembled

Irregular or too fierce burning

- The flue draught is too high. Fit a suitable flue valve.
- The seals of the doors are faulty or worn.
- The flue draught is too or irregular (e.g. due to weather conditions, such as strong gusts of wind and mist, or a dirty flue).
- The bypass valve is not closed.
- The ash pan's door has not been closed.

The stove does not get warm or burns poorly

- The air valve is closed.
- Too much ash in ash tray.
- Too much ash in the burning chamber.
- The flue draught is too low (e.g. due to weather conditions, such as mist, or the flue is dirty).
- The pieces of wood burnt are too large or too damp.

Smoke in the room

- The flue draught is too low (e.g. due to weather conditions, such as mist, or the flue is dirty).
- Door is opened before the flames have been extinguished.
- The flue valve isn't opened fully.

SUPPLEMENTARY INFORMATION VISION GOURMET, -PLUS

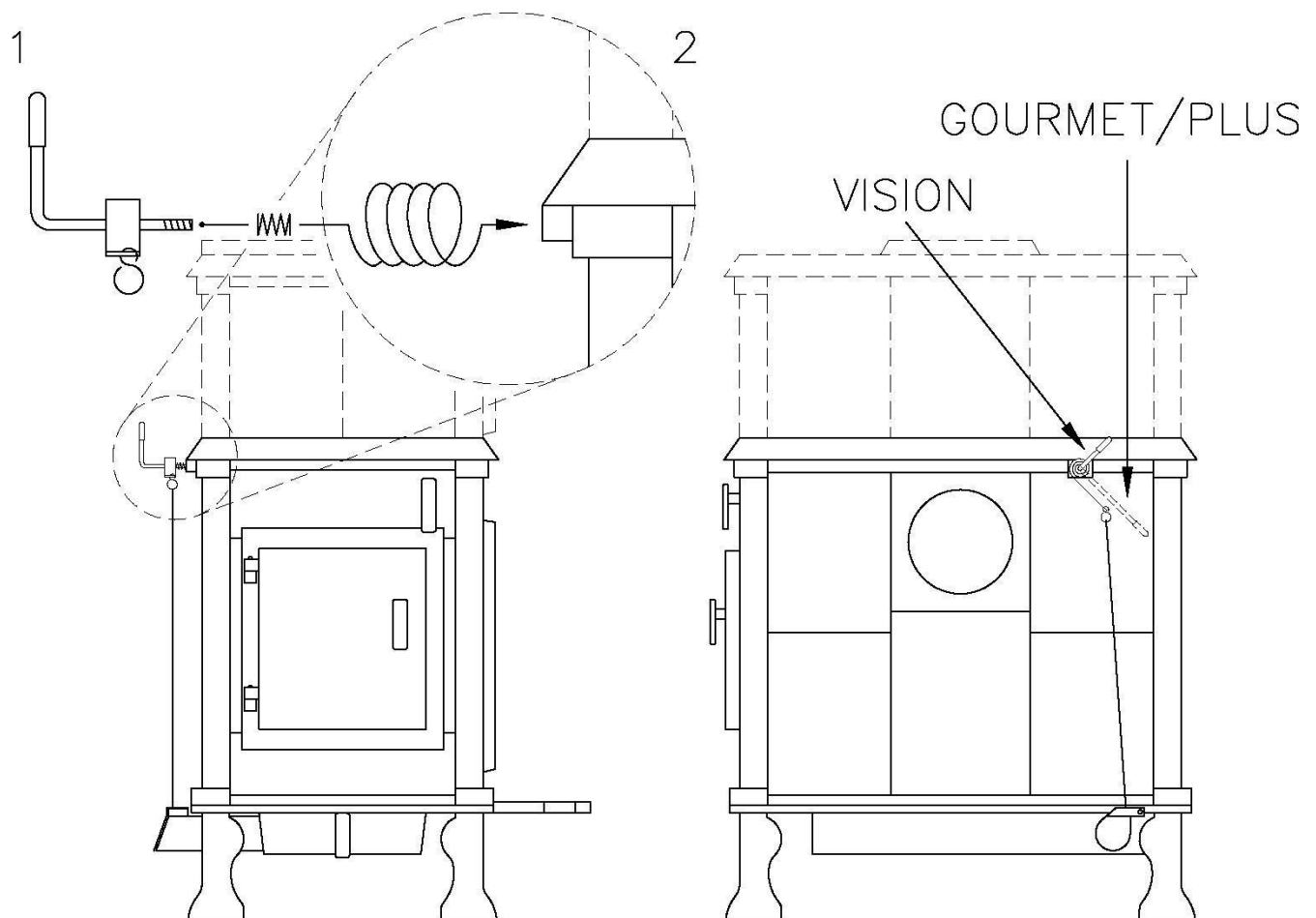
Use

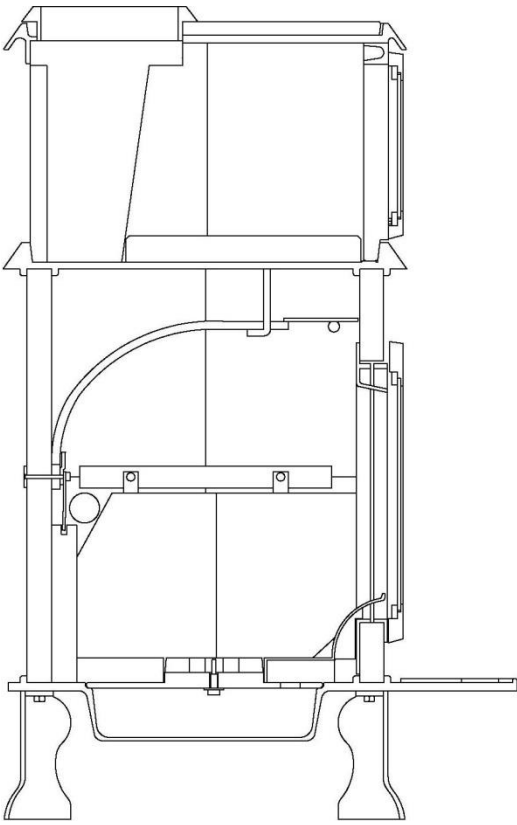
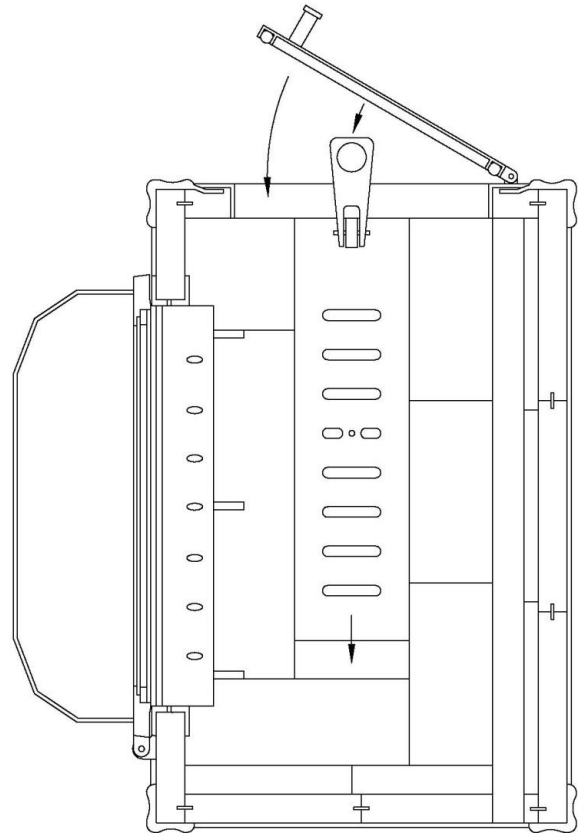
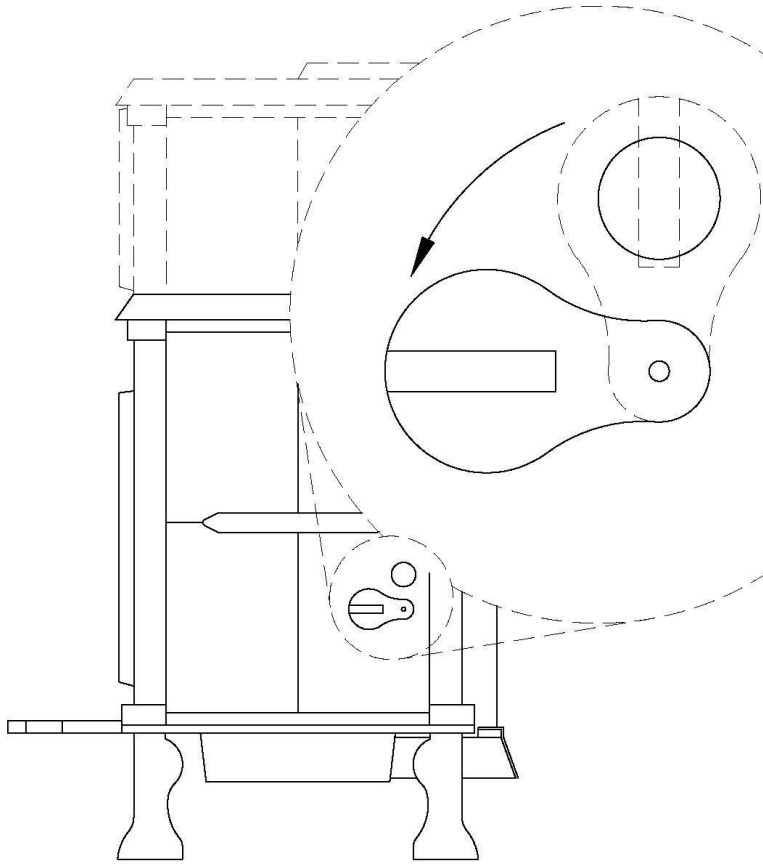
The oven of the Vision Gourmet may only be used when the stove has been burning for at least 1 hour. Before this time, the temperature in the oven is too low. When using the oven, we recommend the use of a suitable oven thermometer (not supplied). To obtain the highest possible temperature in the oven, you should burn the stove at maximum power and, if present, close the oven's extraction opening. Always use the glove provided when opening the oven door.

Oven/heat retaining area maintenance.

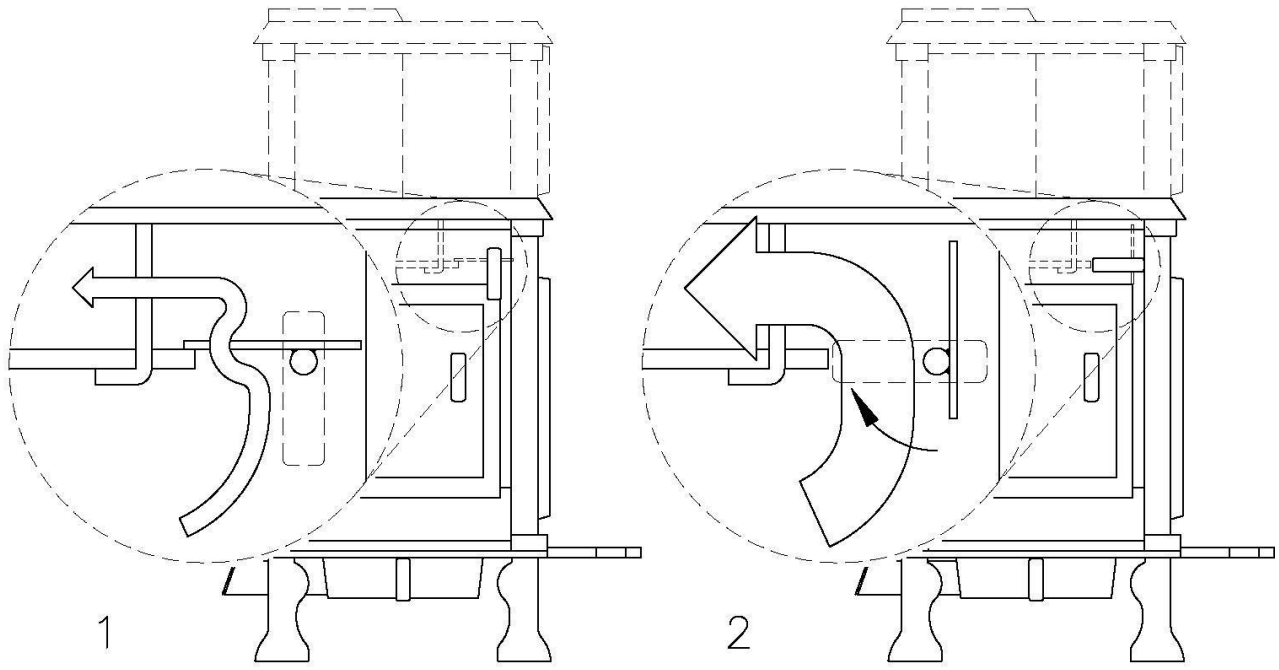
If heavily polluted, the bottom of the oven can be cleaned using wire wool or finesandpaper (grain 100). Also see the instructions given in "Maintenance".

B

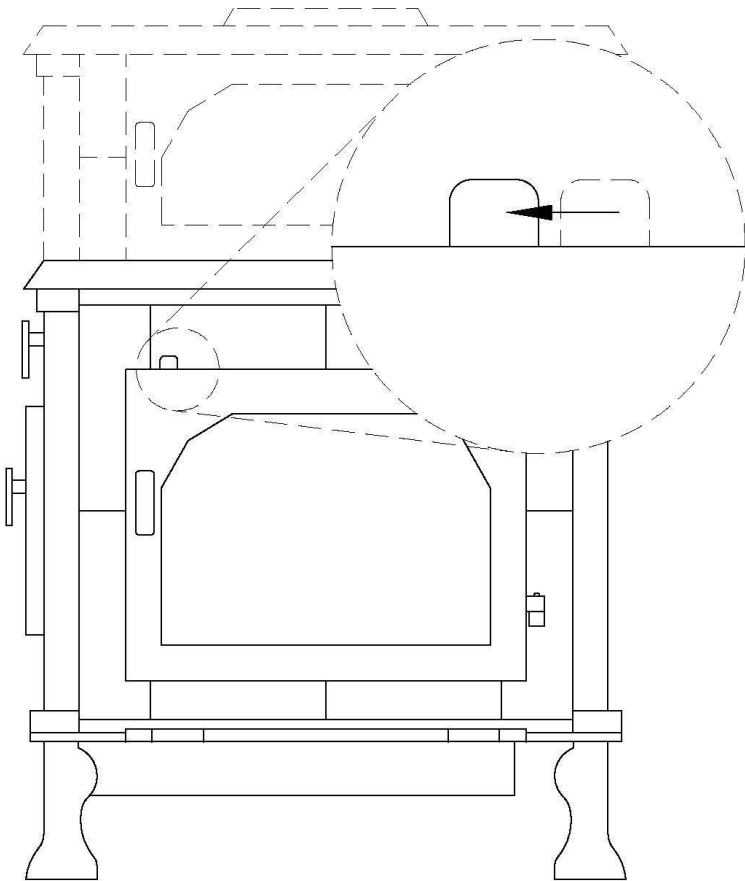


C**D****E**

F



G





WARRANTY

VISION / VISION GOURMET

WARRANTY

The Altech factory warranty applies only to new stoves for a period of five years from the date of purchase. The first and second year, both the material and labor compensation. The third, fourth and fifth years, only the material costs. Warranty claims can only be registered through an authorized Altech Altech dealer or distributor.

Is the warranty card within 14 days of purchase sent to Altech you can only claim the statutory warranty provisions such as those in the country of sale apply.

Warranties are not transferable.

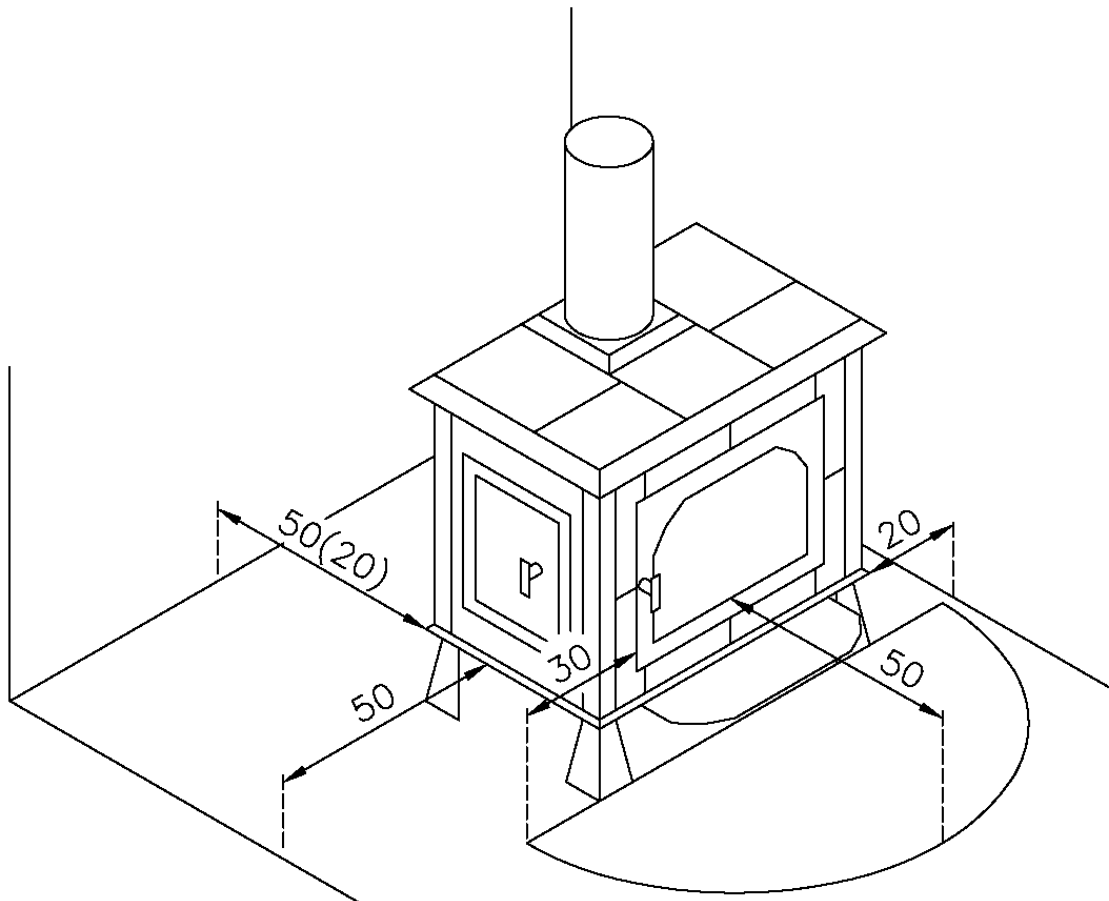
The guarantee becomes invalid if work on the stove are provided by other than by Altech authorized dealers or distributors and / or nonoriginal parts are used.

Not within the warranty:

All wearing parts such as gaskets and rope, glass windows, fireplace grate and inside plating. Transportation, erection and dismantling costs. Damage resulting from improper use, inadequate maintenance or modifications to the stove. Damage caused by improper installation. Fees for any consequential damages.

It is assumed that the user has read the instructions and the warranty conditions before using the stove. The warranty is no longer valid if insufficient maintenance has been carried out on the stove.

A



VISION

**SPECIFICATIEKAART / SPEZIFIKATIONSKARTE
SPECIFICATIONS / CARTE DE SPÉCIFICATIONS
SCHEDA DI SPECIFICAZIONE**

Type / Typ / Type / Type / Tipo / Typ :

Serienummer / Seriennummer / Serial number / Numéro de série / Numero di serie :

Datum aankoop / datum Ankauf / Date of purchase / Date d'achat / Data d'acquisto

Naam en woonplaats of firma stempel Altech Dealer / Name und Wohnort oder Firmenstempel des Altech-Händlers / Name and location or company stamp of the Altech dealer / Nom et adresse ou tampon du revendeur Altech / Nome ed indirizzo o timbro del rivenditore Altech

Vision / Vision Gourmet

GARANTIEBEWIJS / WARRANTY CERTIFICATE / GARANTIEBEWEIS / CERTIFICAT DE GARANTIE / CERTIFICATO DI GARANZIA

Naam / Name / Name / Nom / Cognome e nome :

.....

Adres / Address / Anschrift / Adresse / Indirizzo :

.....

Postcode / Postcode / Postleitzahl / Code postale / CAP:

.....

Woonplaats / Town / Ort / Ville / Città :

.....

Land / Country / Land / Pays / Nazione :

.....

Type / Type / Typ / Type / Tipo :

.....

Serienummer / Serial number / Seriennummer / Numéro de série / Numero di serie:

.....

Datum aankoop / Date of purchase / Datum Ankauf / Date d'achat / Data d'acquisto:

.....

Naam en woonplaats of firma stempel Altech dealer / Name and location or company stamp of the Altech dealer / Name und Wohnort oder Firmenstempel des Altech-Händlers / Nom et adresse ou tampon du revendeur Altech / Nome ed indirizzo o timbro del rivenditore Altech

Dit garantiebewijs binnen 14 dagen na aankoopdatum retour zenden.

Return the warranty with 14 days of purchase.

Diesen Garantiebeweis innerhalb von 14 Tagen nach Ankaufsdatum retour senden.

Ce certificat de garantie doit être renvoyé dans les 14 jours suivant la date d'achat.

Questo certificato di garanzia deve essere restituito entro 14 giorni dalla data d'acquisto.

Frankeren
Freimachen
Stamp
Affrenchir
Afrancare

ALTECH
Oosterinslag 15
NL-3871 AL HOEVELAKEN
The Netherlands